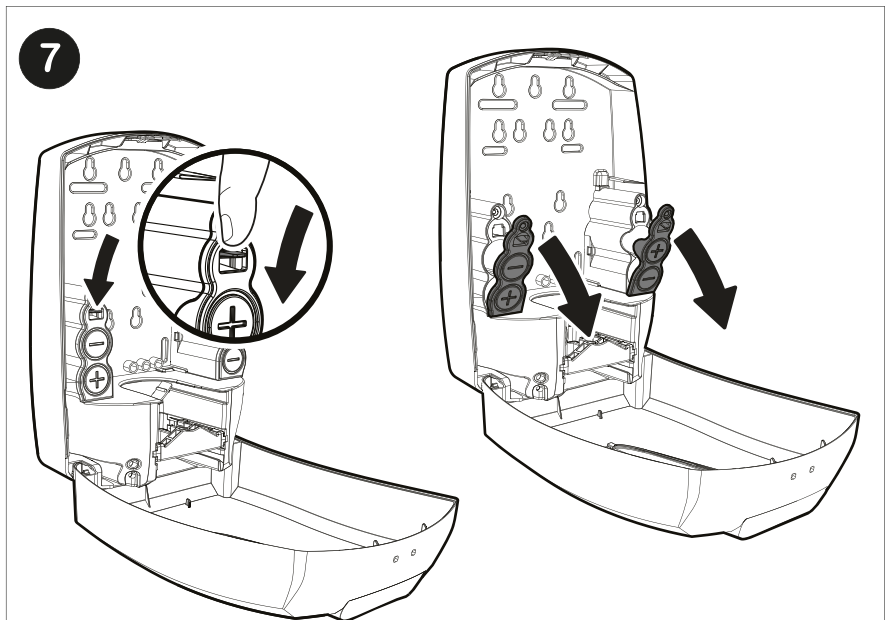
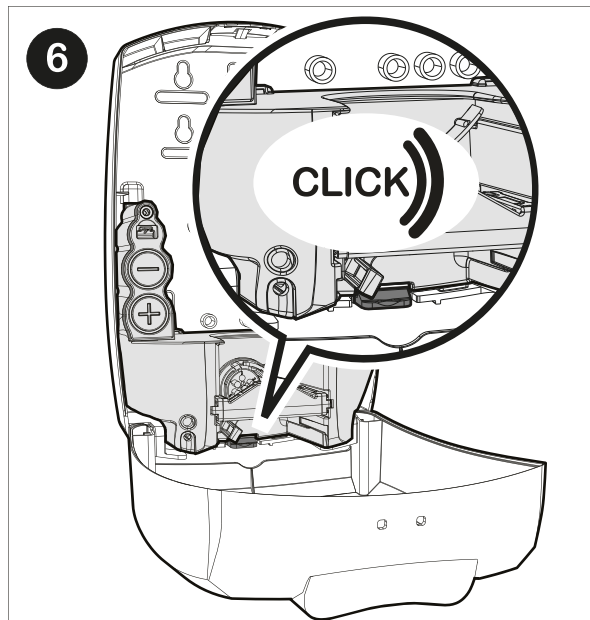
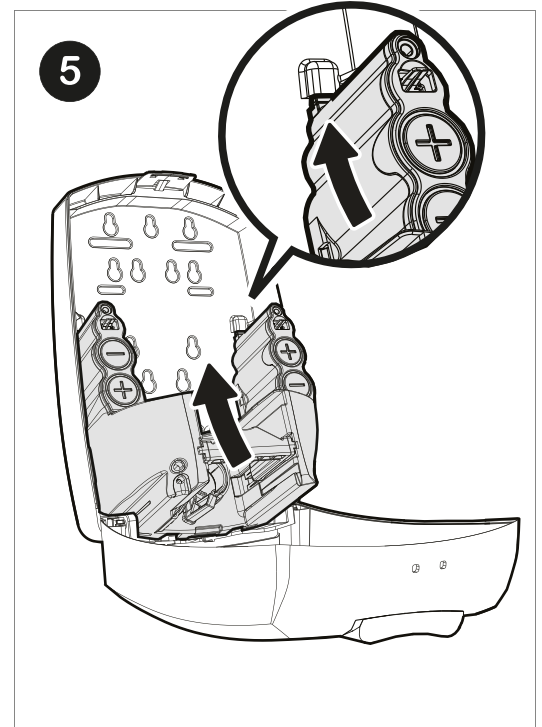
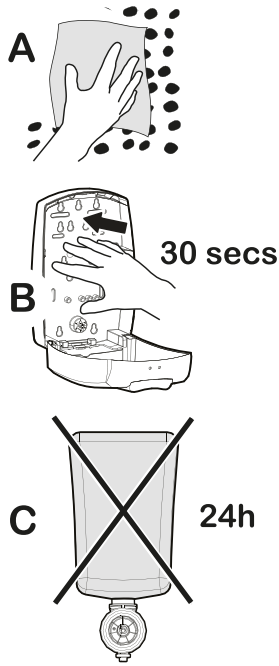
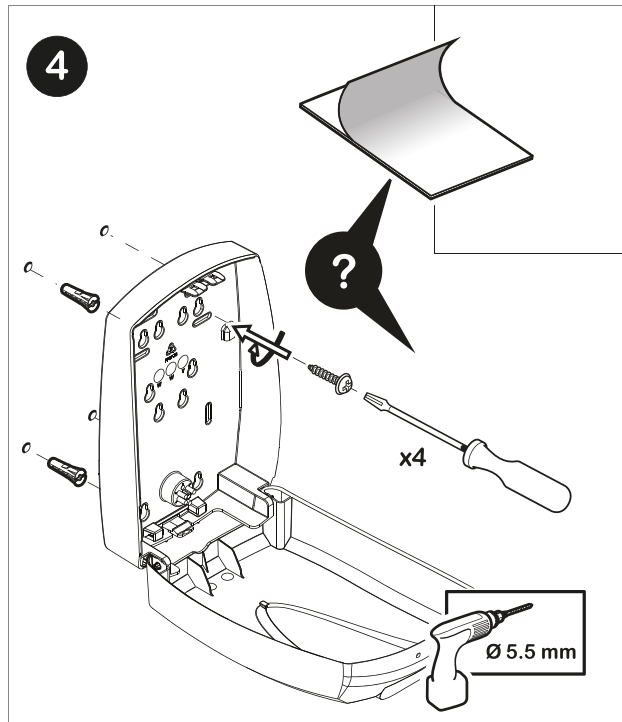
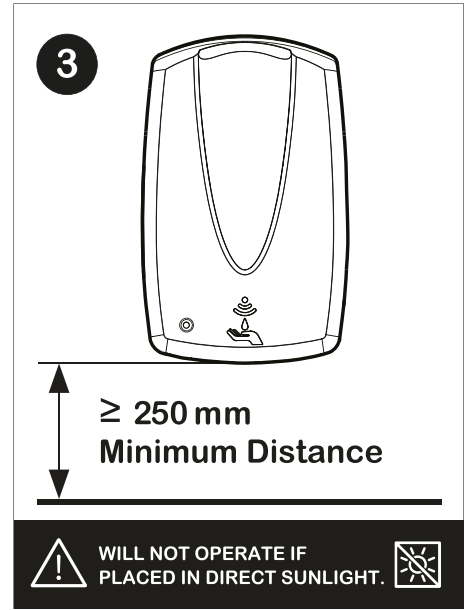
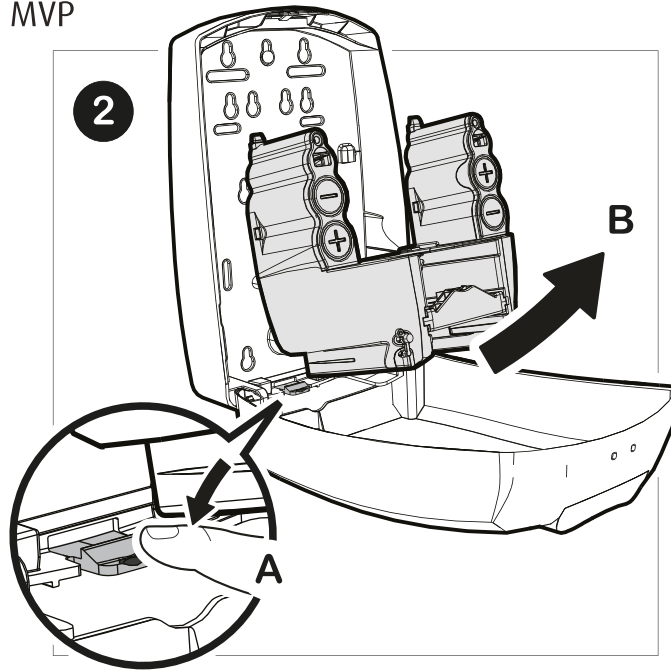
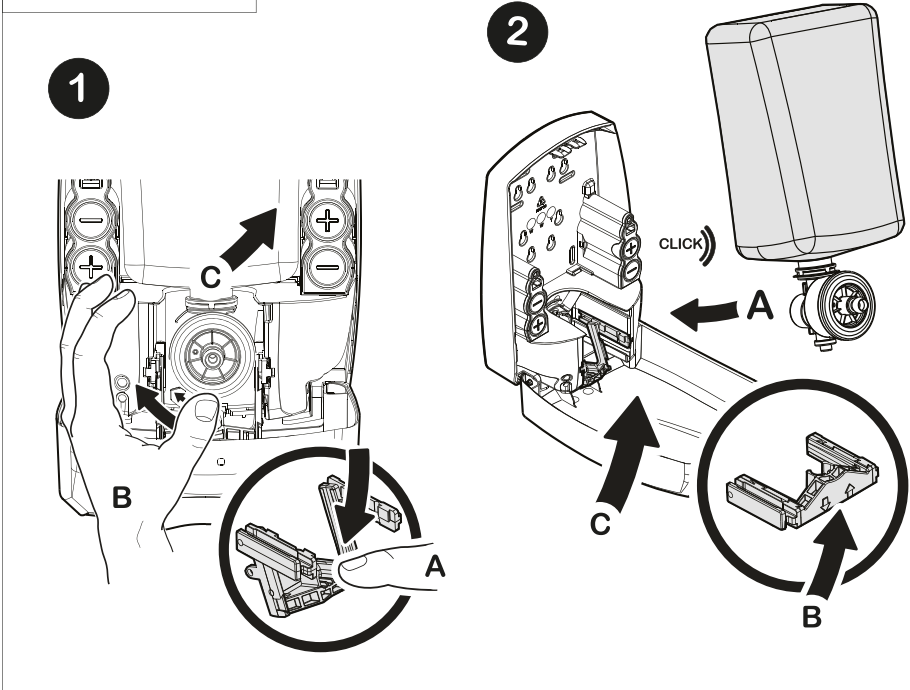
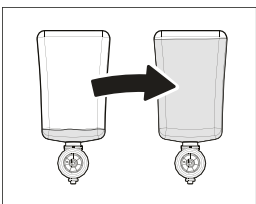
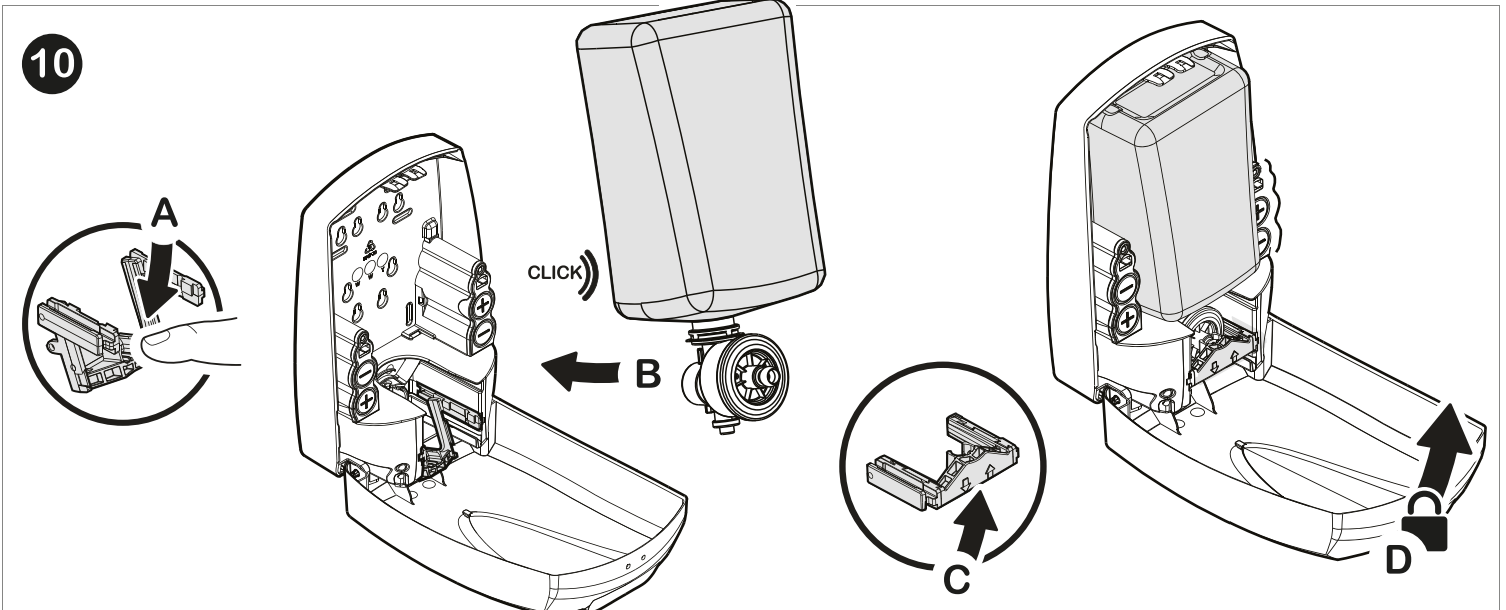
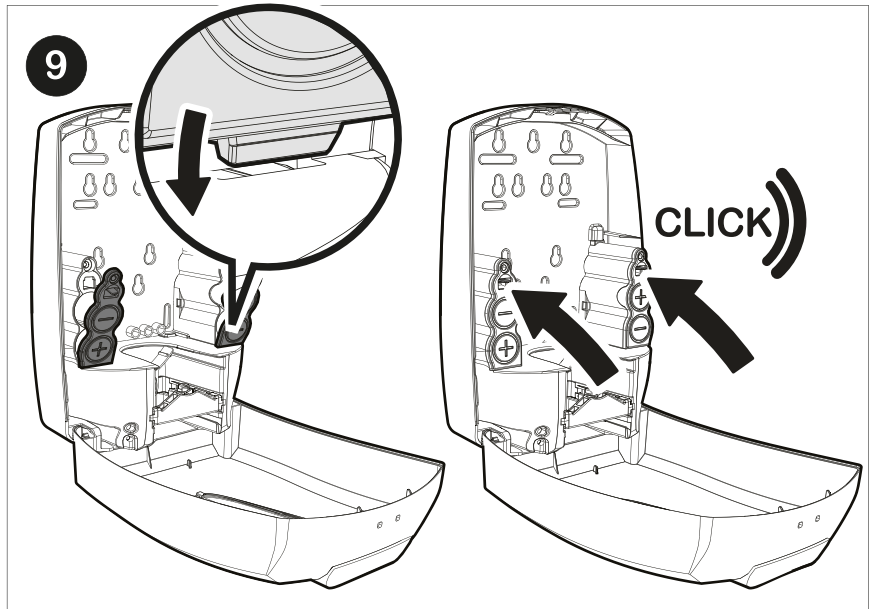
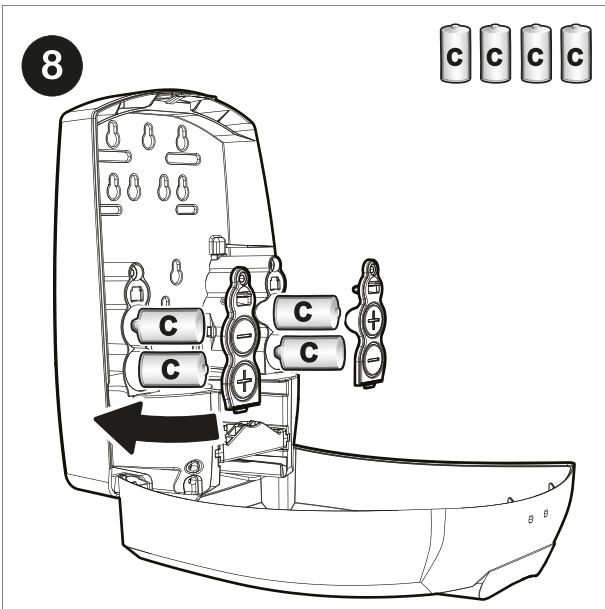


sanitex[®] AUTOMATIC


MVP

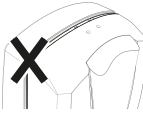
SANITEXMVPA-INS 22112018





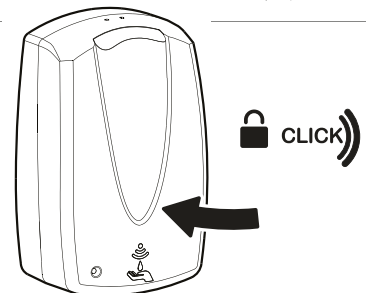


Green = ✓

Red = 

Yellow = 

Yellow  = 



VECTAIR SYSTEMS

Vectair Systems Limited
 Unit 3 Trident Centre, Armstrong Road
 Basingstoke, Hampshire, RG24 8NU, UK
 +44 (0) 1256 319500

Vectair Systems Inc.
 Memphis, TN 38111
 Phone: 901 373 7818
 Toll Free: 877 697 7276

www.vectairsystems.com